

NOTE: THIS IS A "RAINSCREEN" SYSTEM. THE BUILDING MUST BE WATERTIGHT PRIOR TO THE INSTALLATION OF THE PANEL SYSTEM.

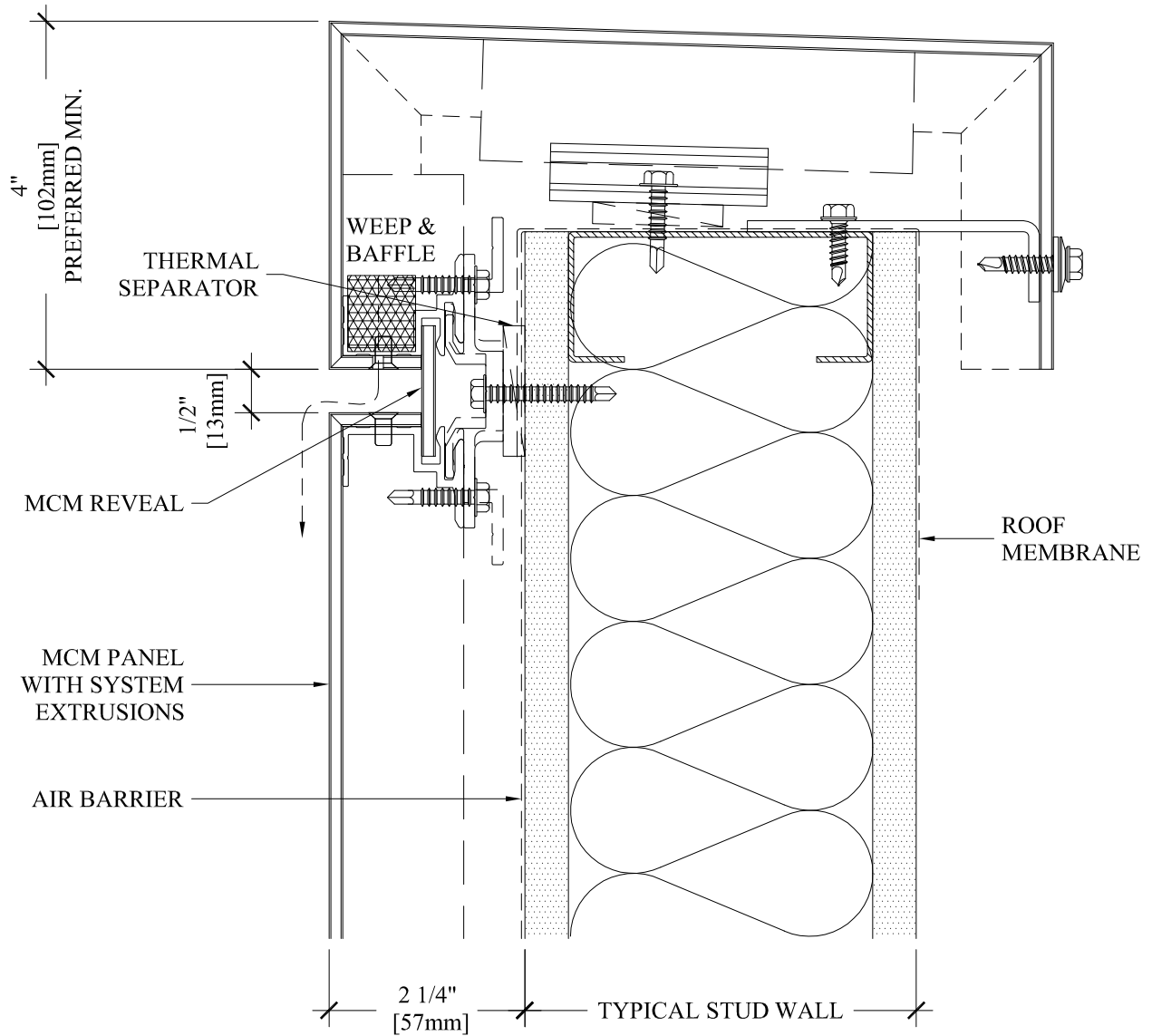
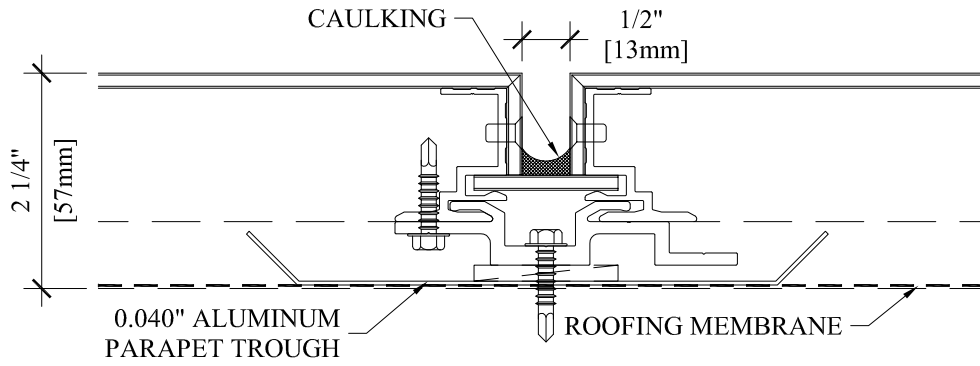
**DETAIL LEGEND**

- |                         |                          |                          |
|-------------------------|--------------------------|--------------------------|
| 1- STANDARD PARAPET     | 6A- OPTIONAL WINDOW HEAD | 11- INSIDE CORNER        |
| 1A- OPTIONAL PARAPET    | 7- STANDARD WINDOW SILL  | 12- ROUND OUTSIDE CORNER |
| 2- HORIZONTAL JOINT     | 7A- OPTIONAL WINDOW SILL | 13- ABUTMENT             |
| 3- FEATURE BAND         | 8- STANDARD WINDOW JAMB  | 14- SQUARE COLUMN        |
| 4- BASE CONDITION       | 8A- OPTIONAL WINDOW JAMB | 15- CIRCULAR COLUMN      |
| 5- WALL SOFFIT          | 9- SQUARE OUTSIDE CORNER |                          |
| 6- STANDARD WINDOW HEAD | 10- VERTICAL JOINT       |                          |

(T1) SL-2000 DETAIL LAYOUT

**SOBOTEC**  
 ADDING STRUCTURE TO VISION  
 WWW.SOBOTEC.COM PH: 905-578-1278

HAMILTON,  
 ONTARIO

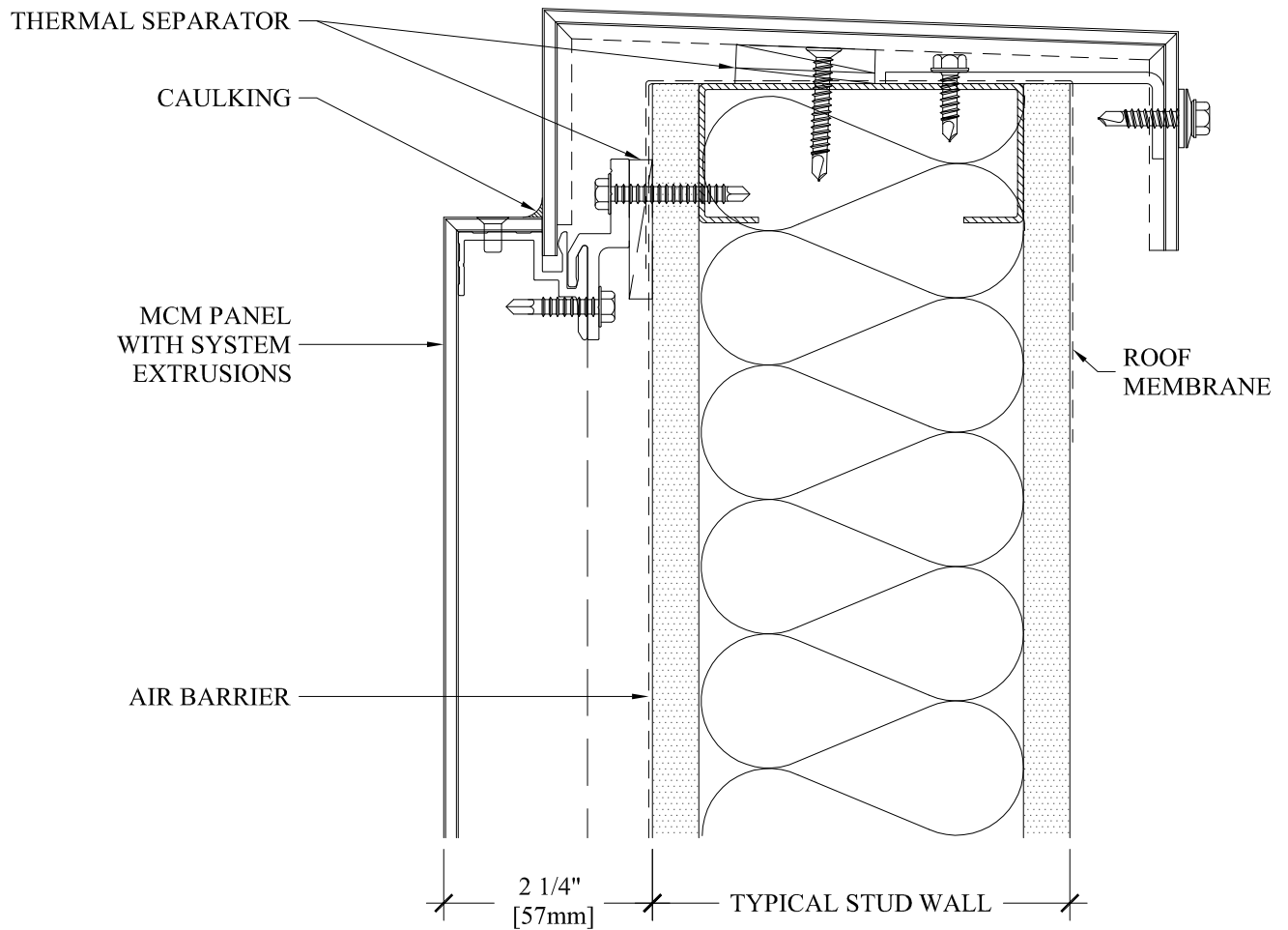
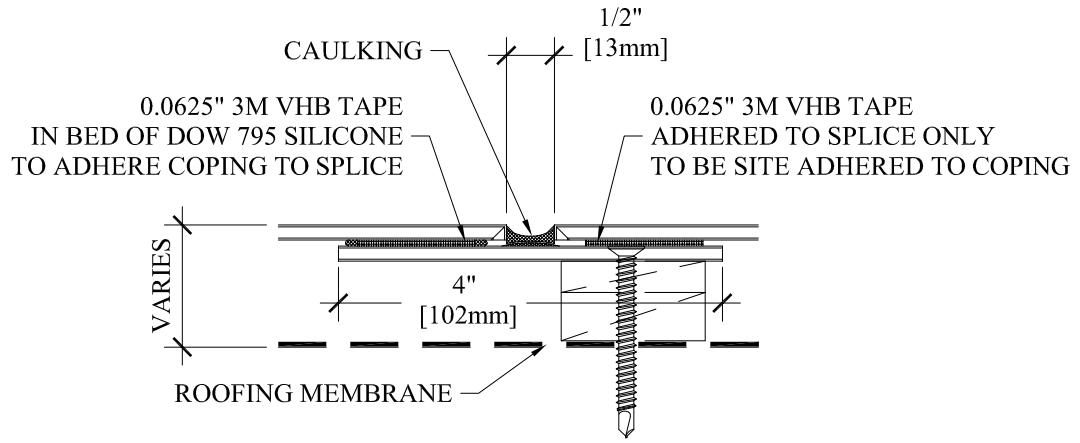


NOT TO SCALE

① SL-2000 PARAPET DETAIL (Standard)



HAMILTON,  
ONTARIO

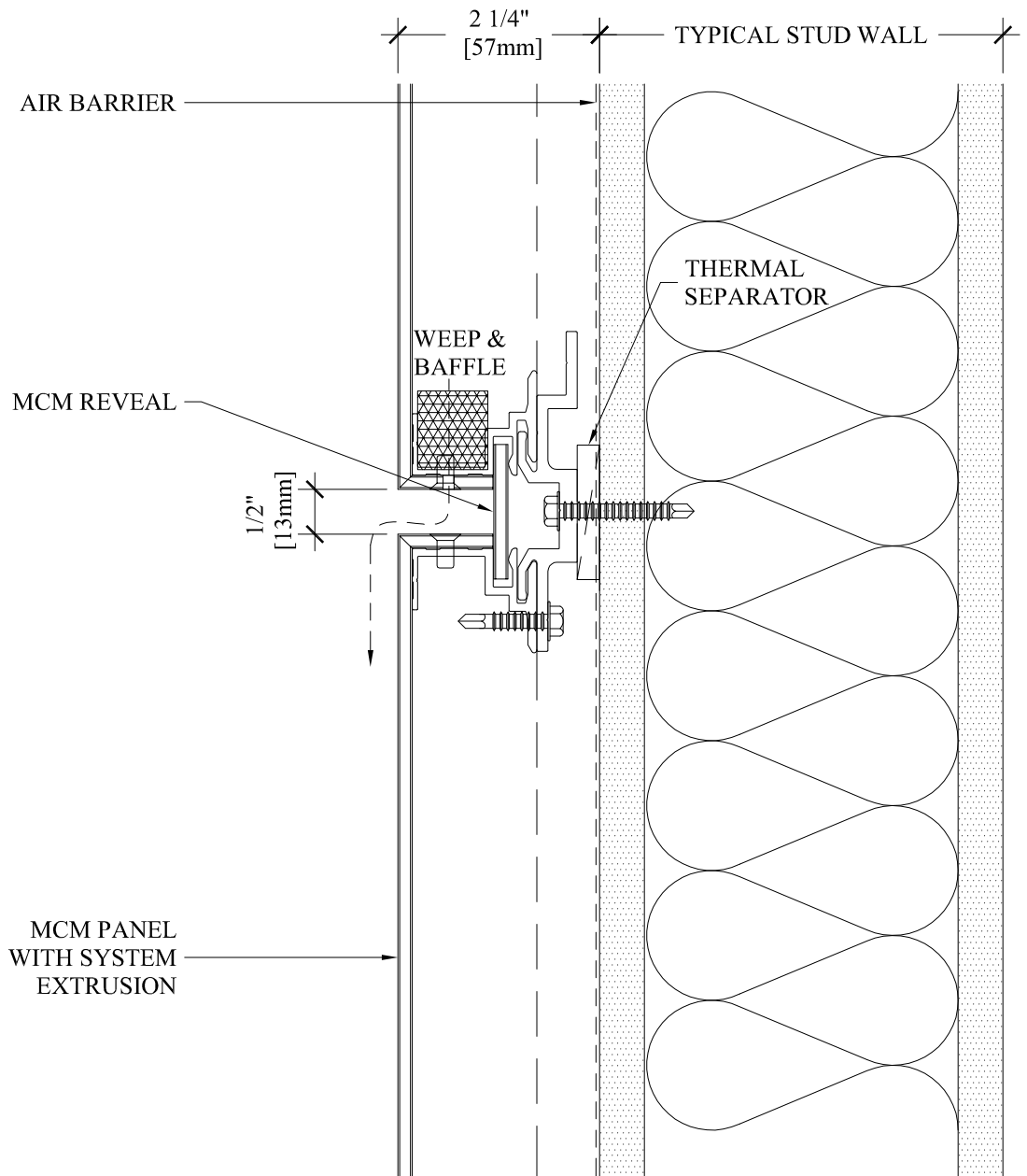


NOT TO SCALE

1A SL-2000 PARAPET DETAIL (Optional)



HAMILTON,  
ONTARIO

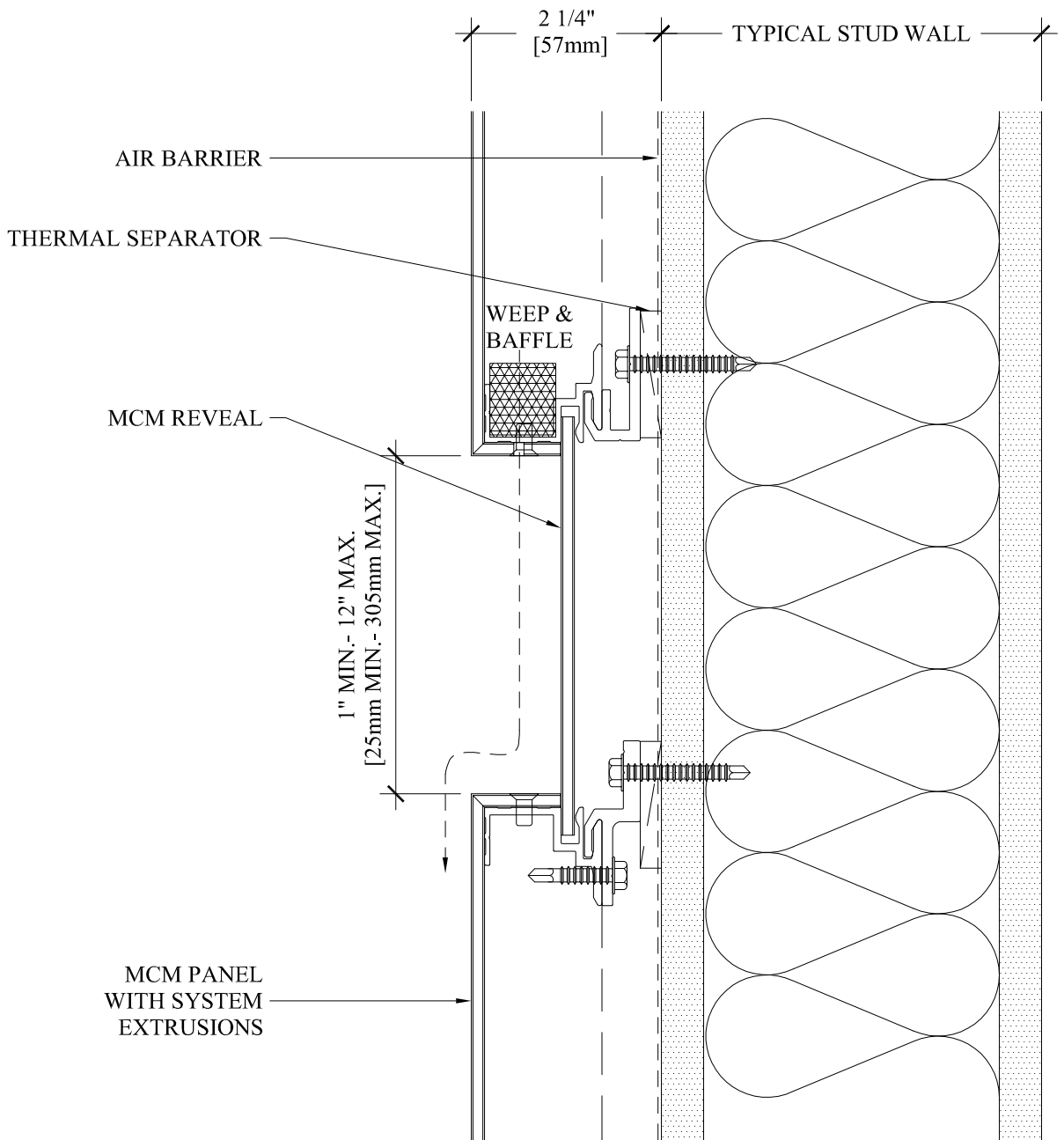


NOT TO SCALE

② SL-2000 HORIZONTAL JOINT

**SOBOTEC**  
 ADDING STRUCTURE TO VISION  
 WWW.SOBOTEC.COM PH: 905-578-1278

HAMILTON,  
 ONTARIO



NOT TO SCALE

3

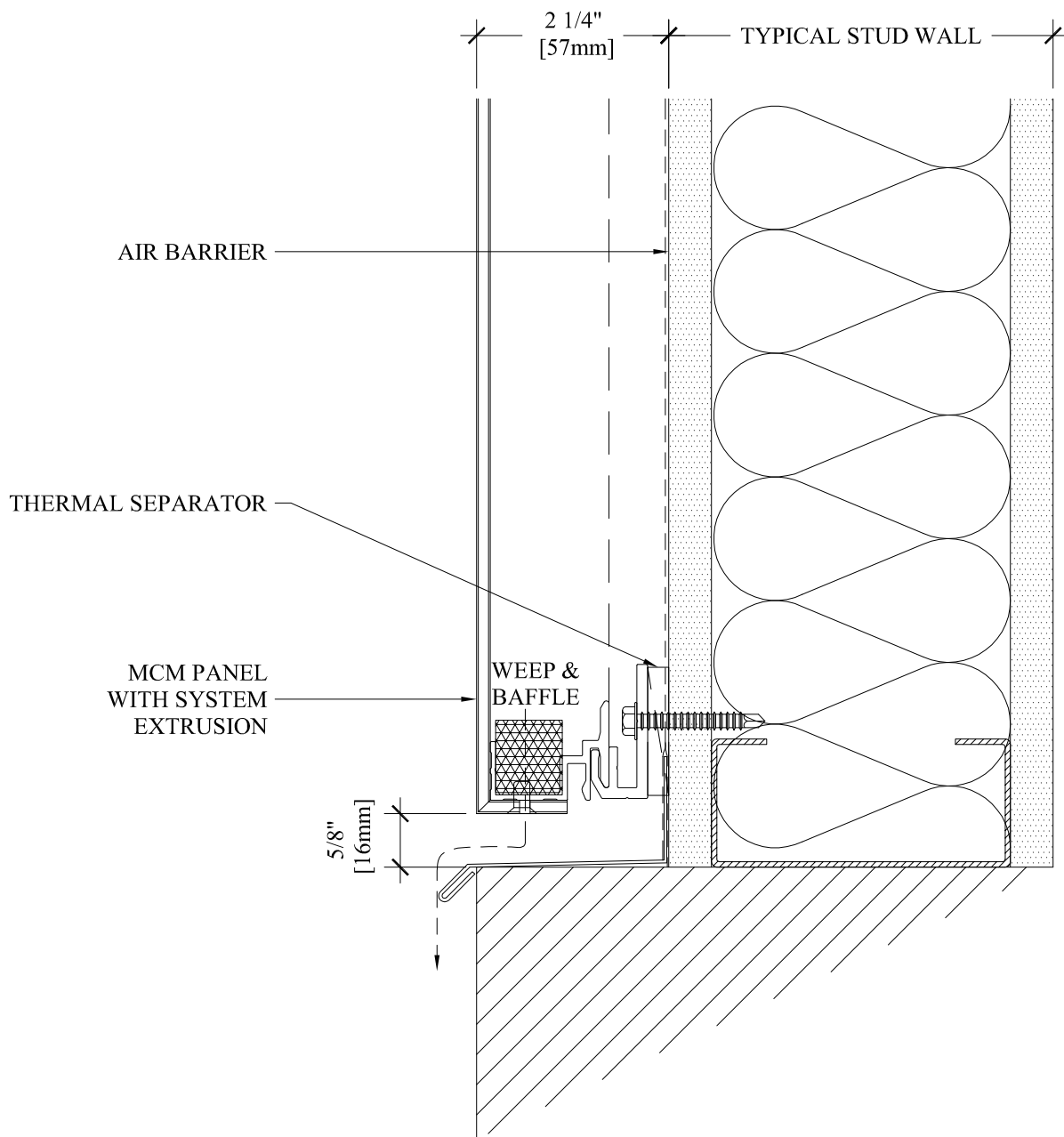
SL-2000 FEATURE BAND



ADDING STRUCTURE TO VISION

WWW.SOBOTEC.COM PH: 905-578-1278

HAMILTON,  
ONTARIO

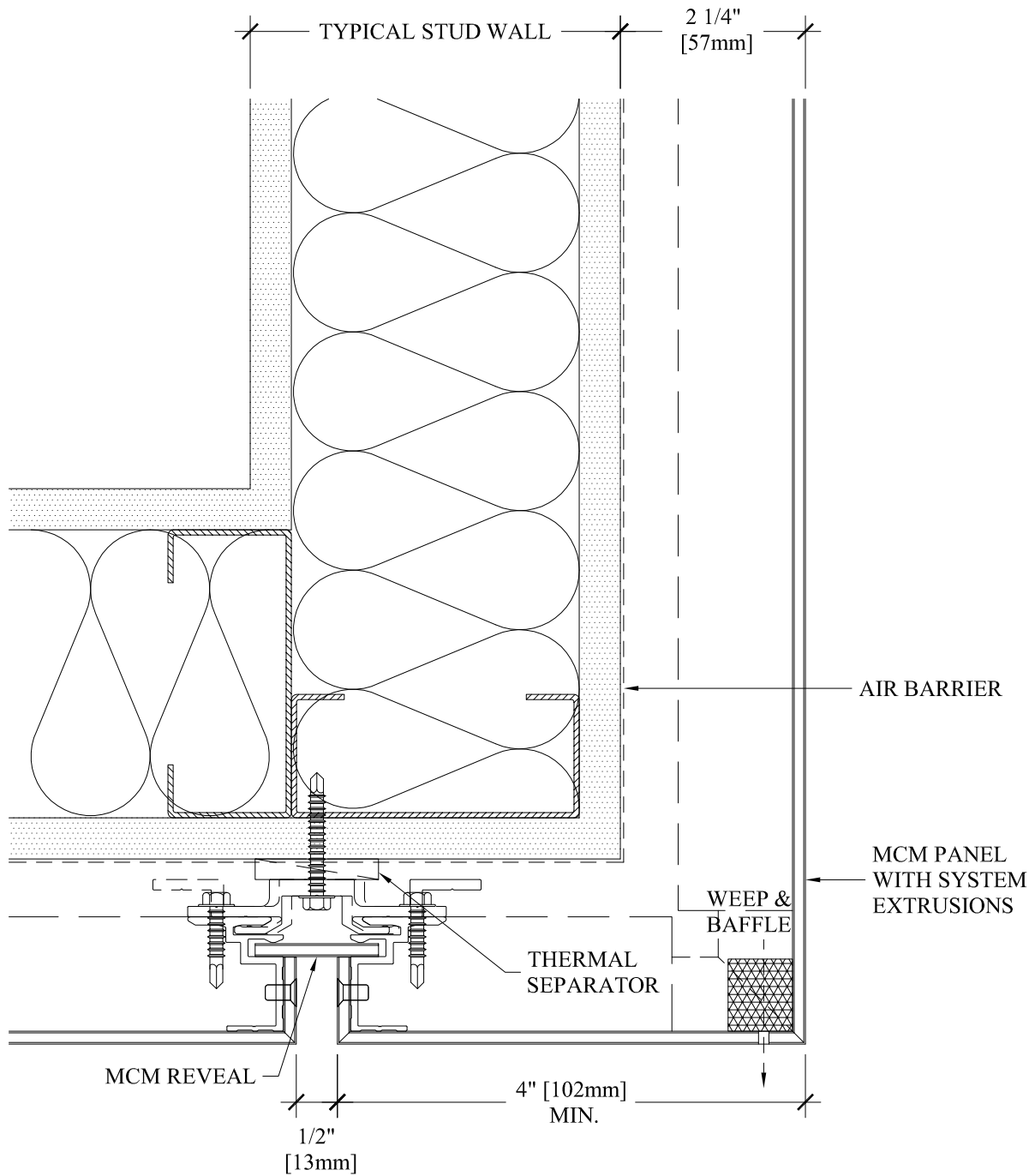


NOT TO SCALE

④ SL-2000 BASE CONDITION



HAMILTON,  
 ONTARIO



NOT TO SCALE

5 SL-2000 WALL SOFFIT DETAIL

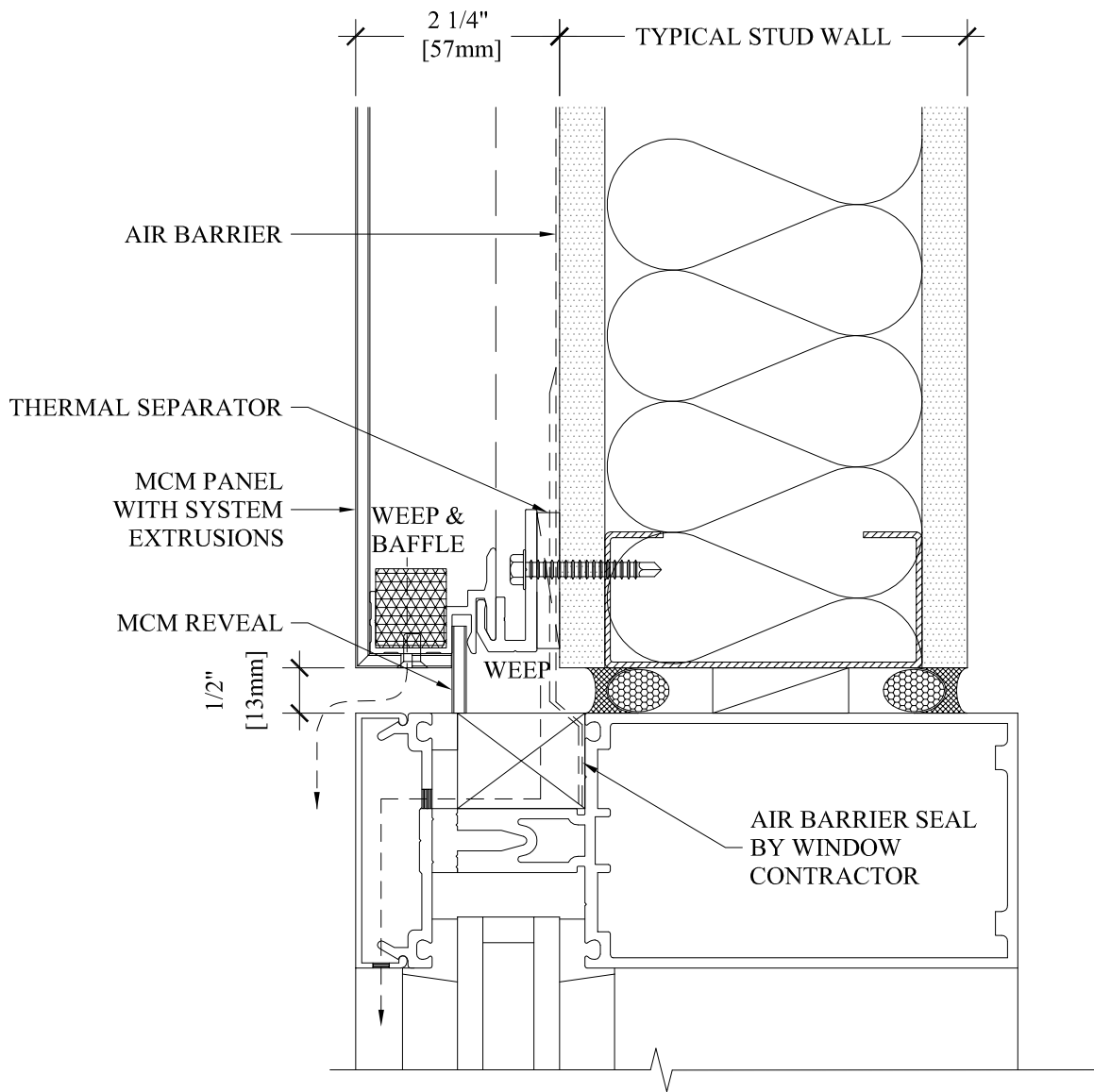


**SOBOTEC**

ADDING STRUCTURE TO VISION

WWW.SOBOTEC.COM PH: 905-578-1278

HAMILTON,  
ONTARIO



NOT TO SCALE

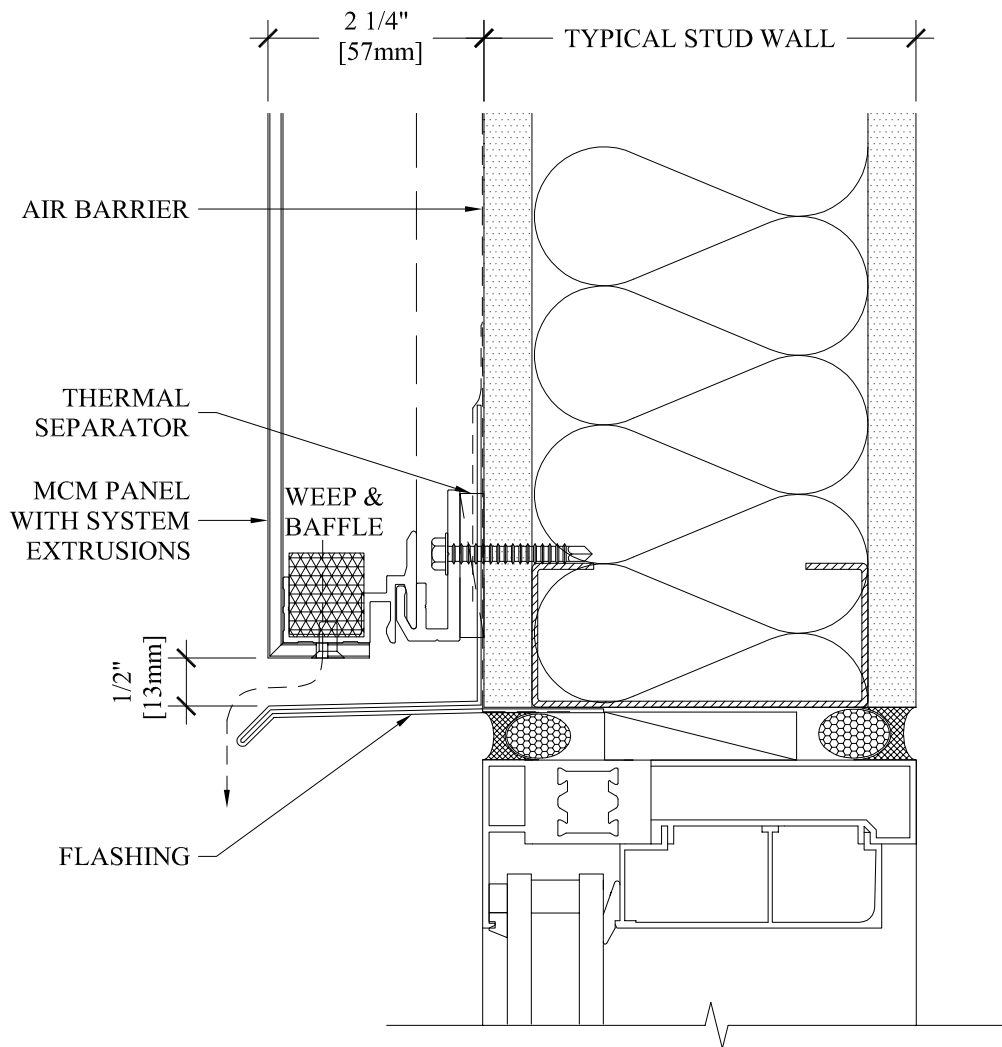
⑥ SL-2000 HEAD DETAIL (Standard)



**SOBOTEC**  
 ADDING STRUCTURE TO VISION  
 WWW.SOBOTEC.COM PH: 905-578-1278

HAMILTON,  
 ONTARIO



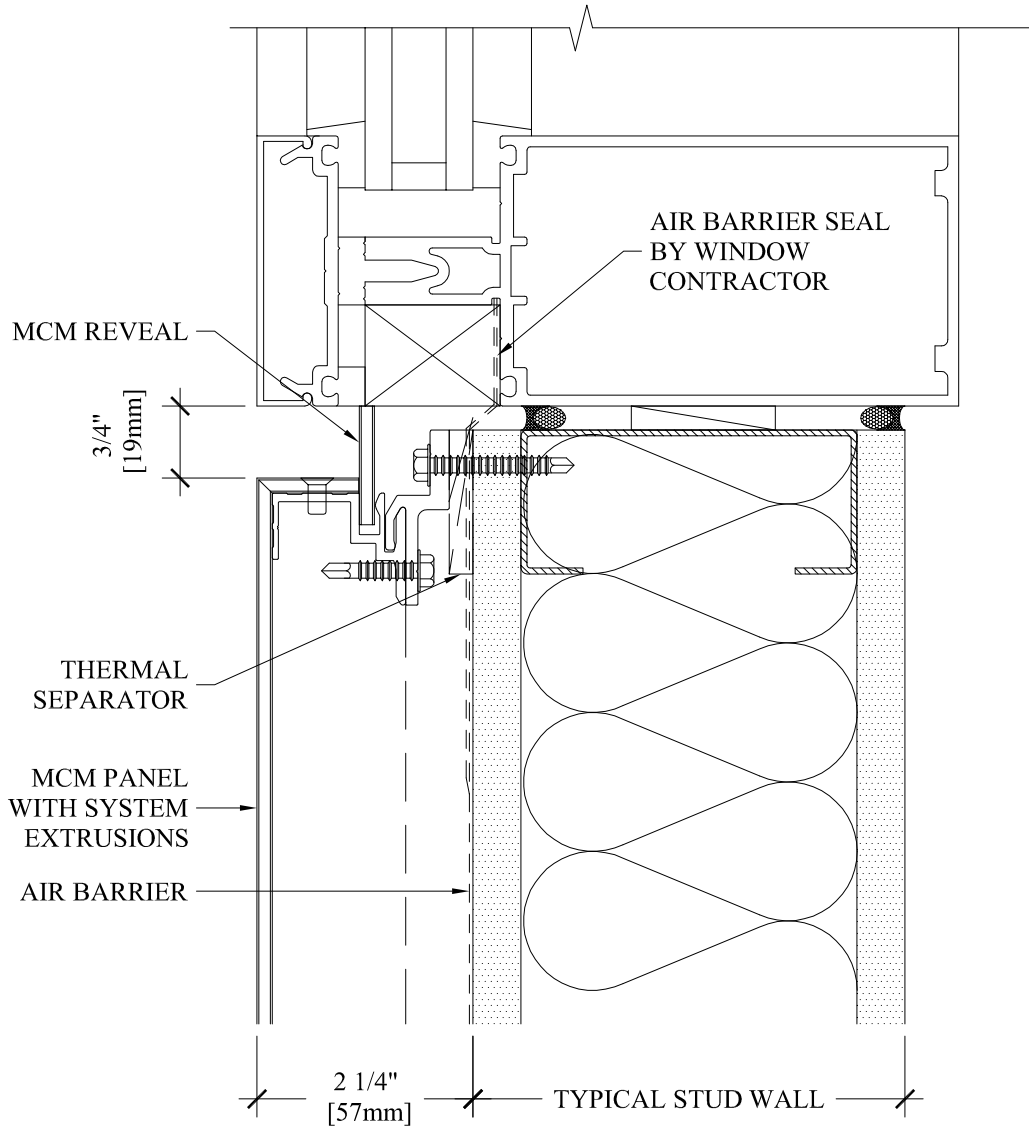


NOT TO SCALE

6A SL-2000 HEAD DETAIL (Optional)



HAMILTON,  
ONTARIO



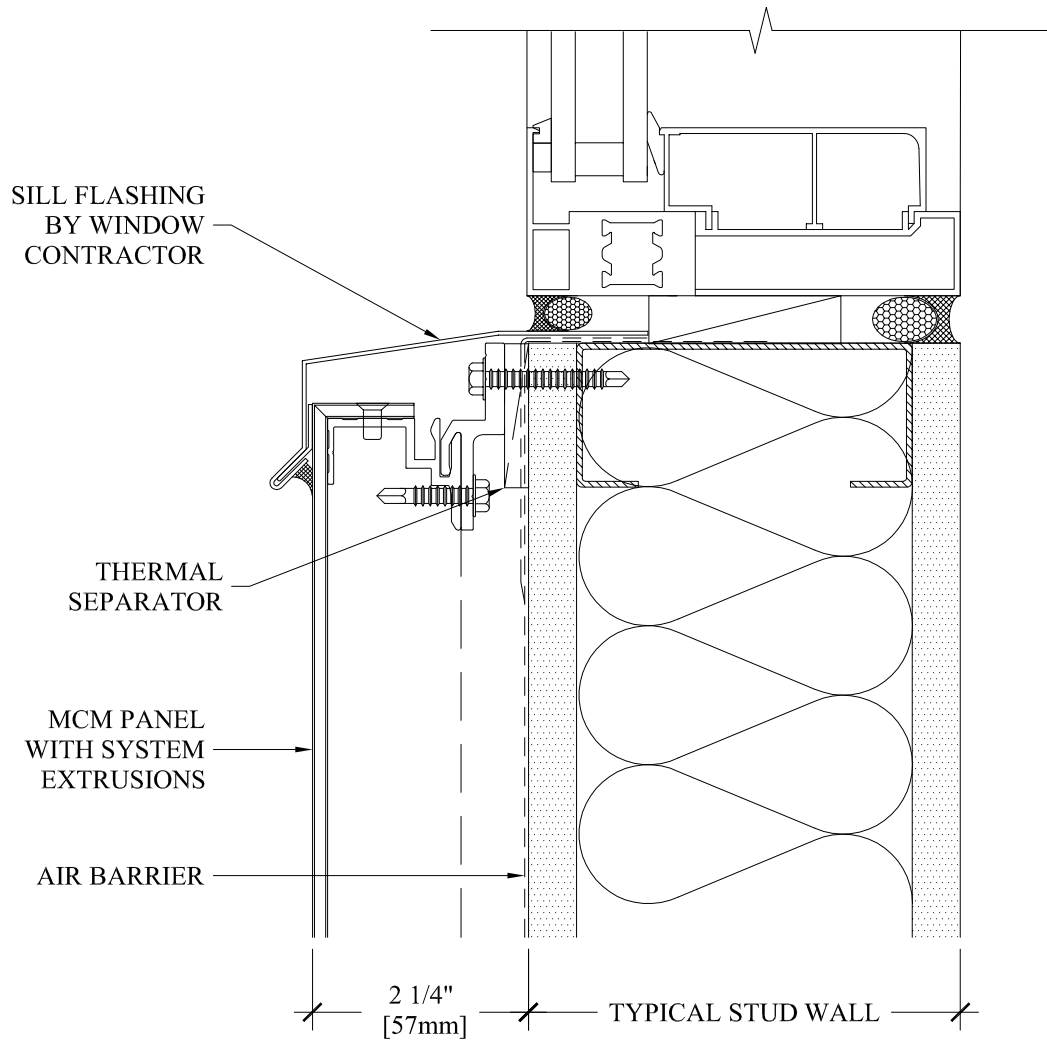
NOT TO SCALE

7 SL-2000 SILL DETAIL (Standard)



**SOBOTEC**  
 ADDING STRUCTURE TO VISION  
 WWW.SOBOTEC.COM PH: 905-578-1278

HAMILTON,  
 ONTARIO



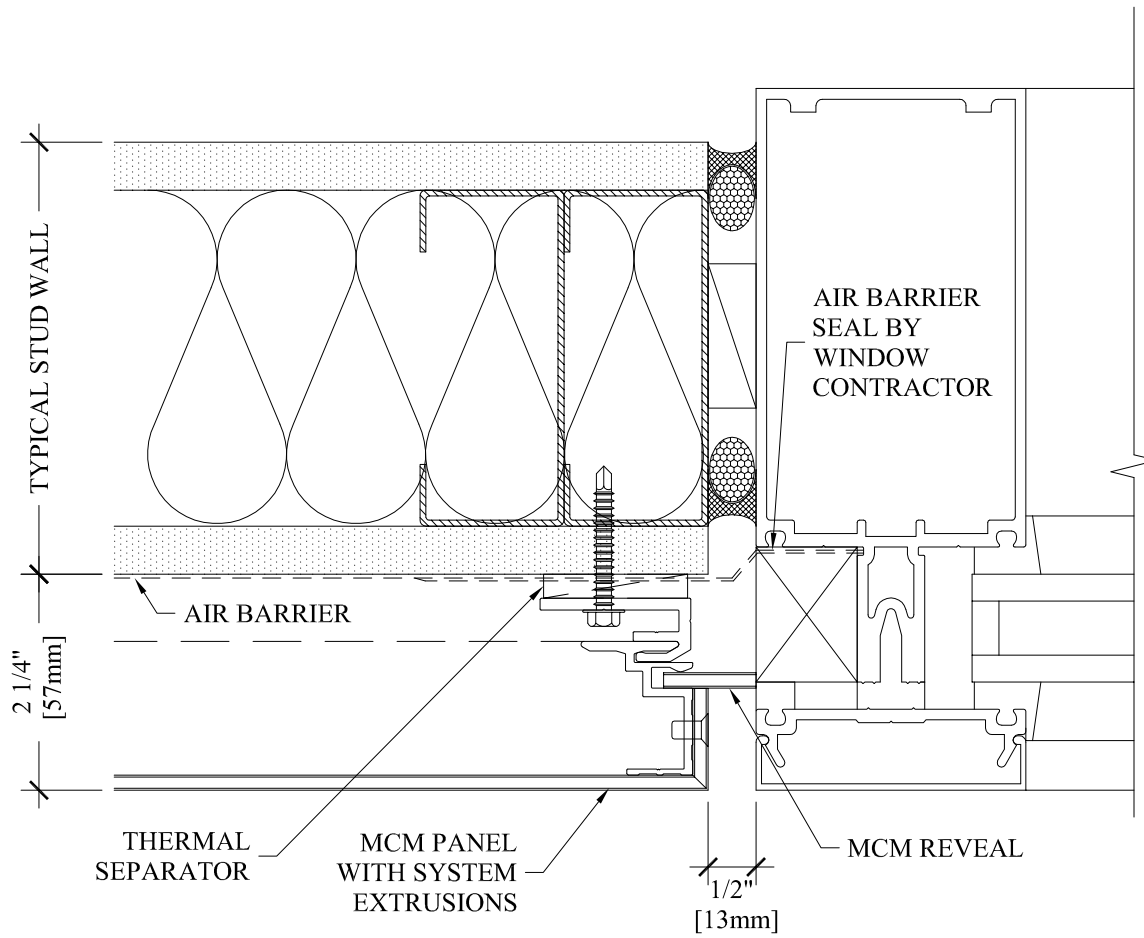
NOT TO SCALE

7A SL-2000 SILL DETAIL (Optional)



**SOBOTEC**  
 ADDING STRUCTURE TO VISION  
 WWW.SOBOTEC.COM PH: 905-578-1278

HAMILTON,  
 ONTARIO



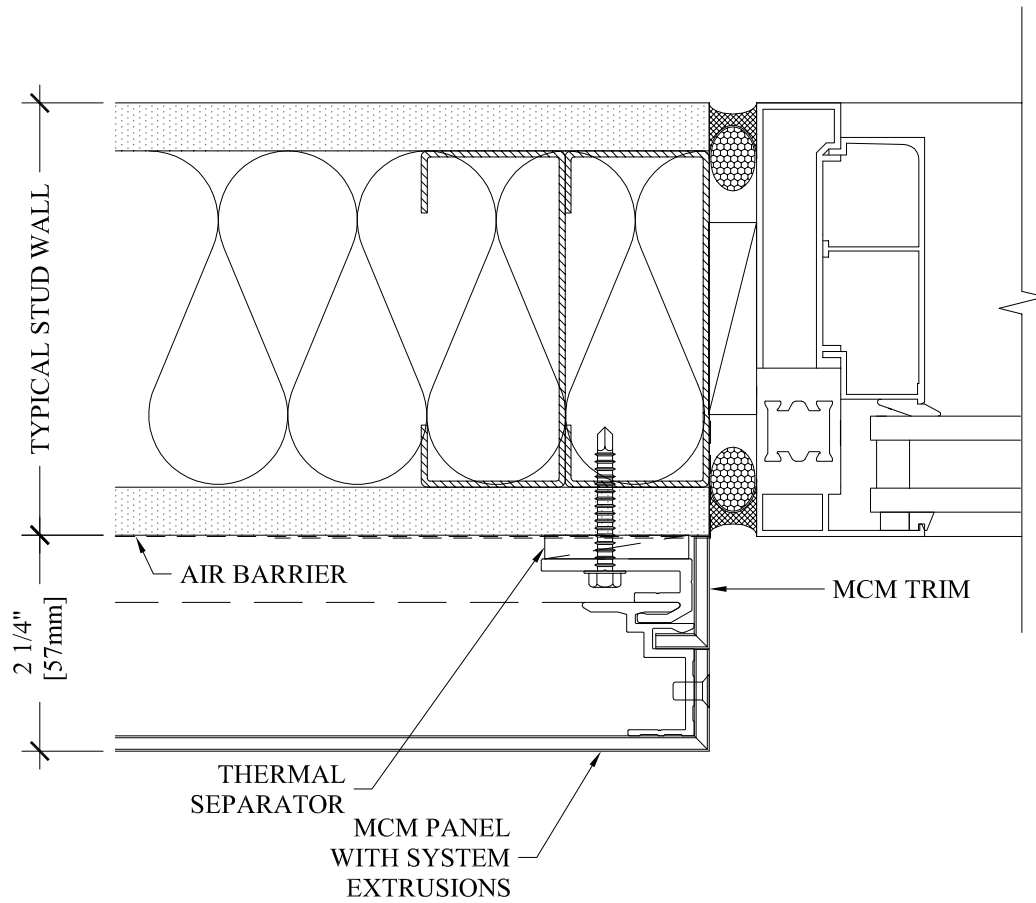
NOT TO SCALE

8 SL-2000 JAMB DETAIL (Standard)



**SOBOTEC**  
 ADDING STRUCTURE TO VISION  
 WWW.SOBOTEC.COM PH: 905-578-1278

HAMILTON,  
 ONTARIO



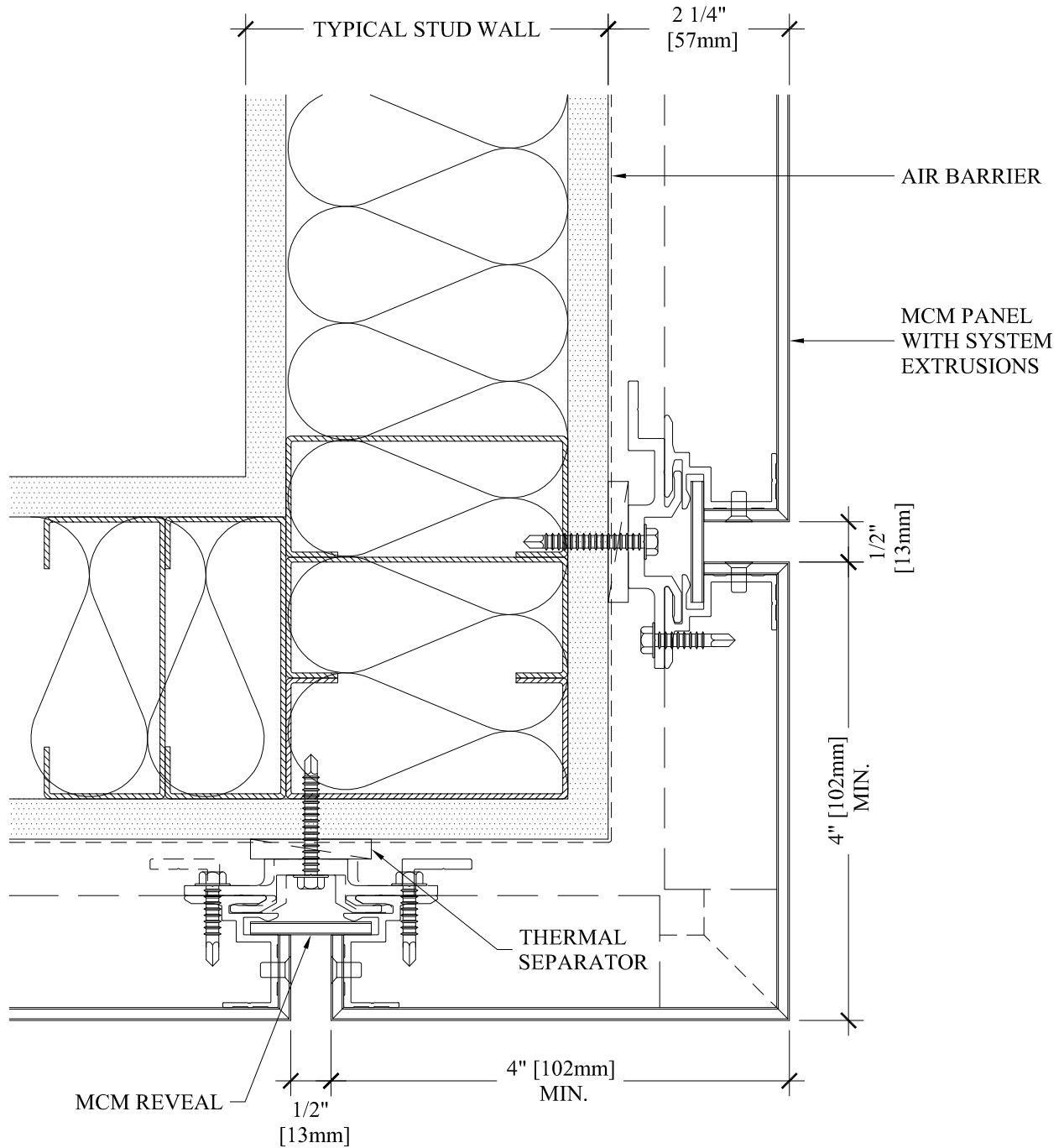
NOT TO SCALE

8A SL-2000 JAMB DETAIL (Optional)



**SOBOTEC**  
 ADDING STRUCTURE TO VISION  
 WWW.SOBOTEC.COM PH: 905-578-1278

HAMILTON,  
 ONTARIO

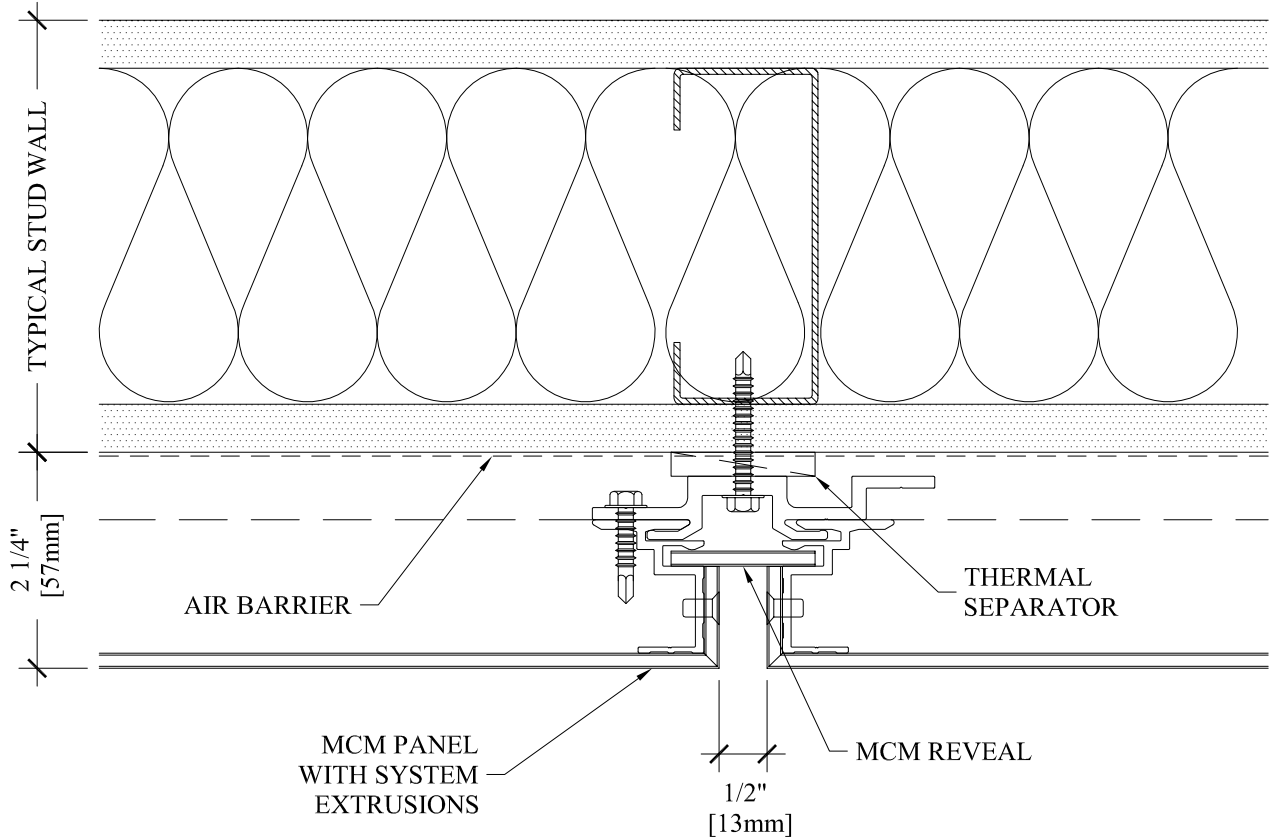


NOT TO SCALE

9 SL-2000 SQUARE OUTSIDE CORNER



HAMILTON,  
ONTARIO

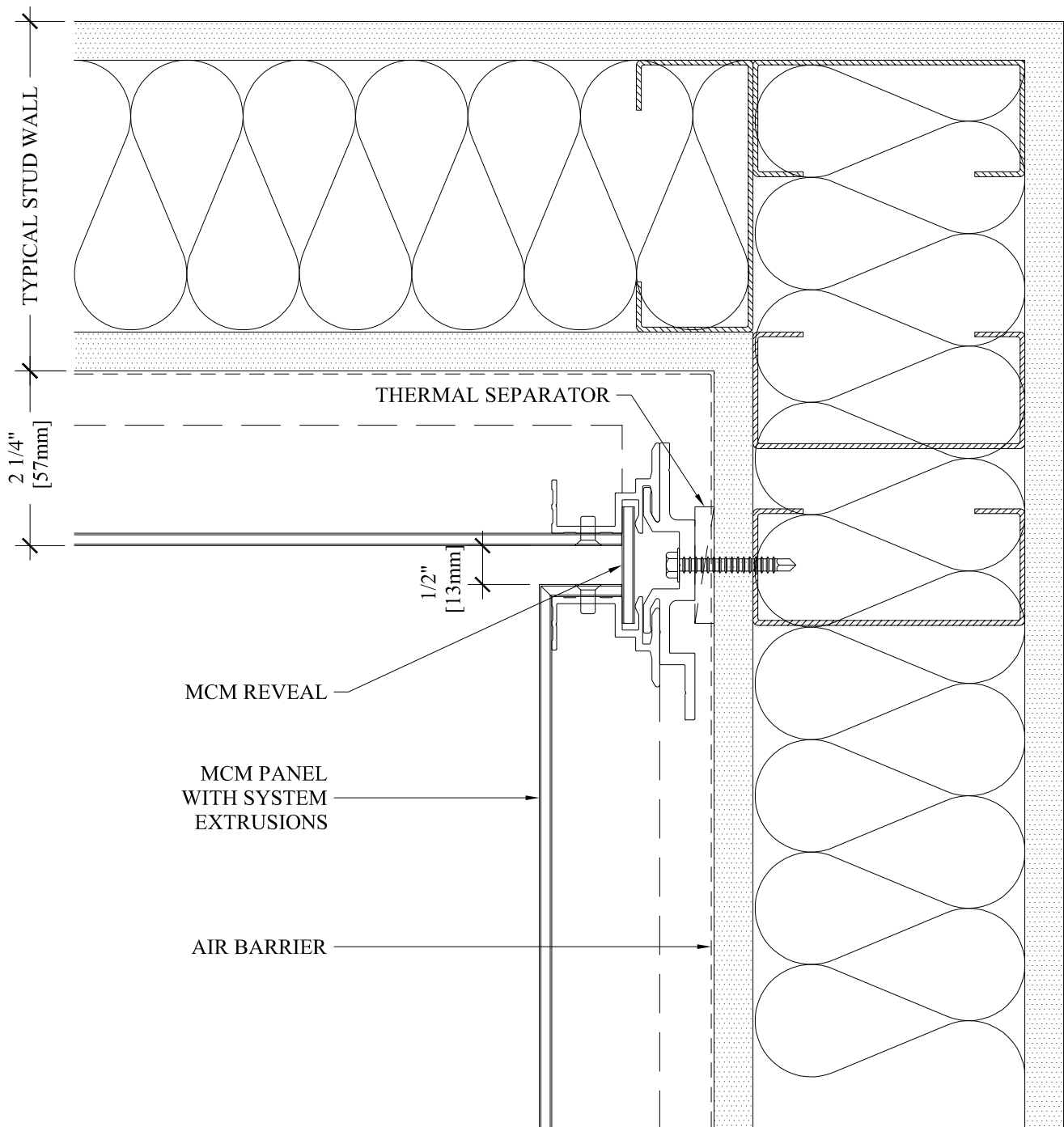


NOT TO SCALE

10 SL-2000 VERTICAL JOINT



HAMILTON,  
ONTARIO



NOT TO SCALE

11 SL-2000 INSIDE CORNER

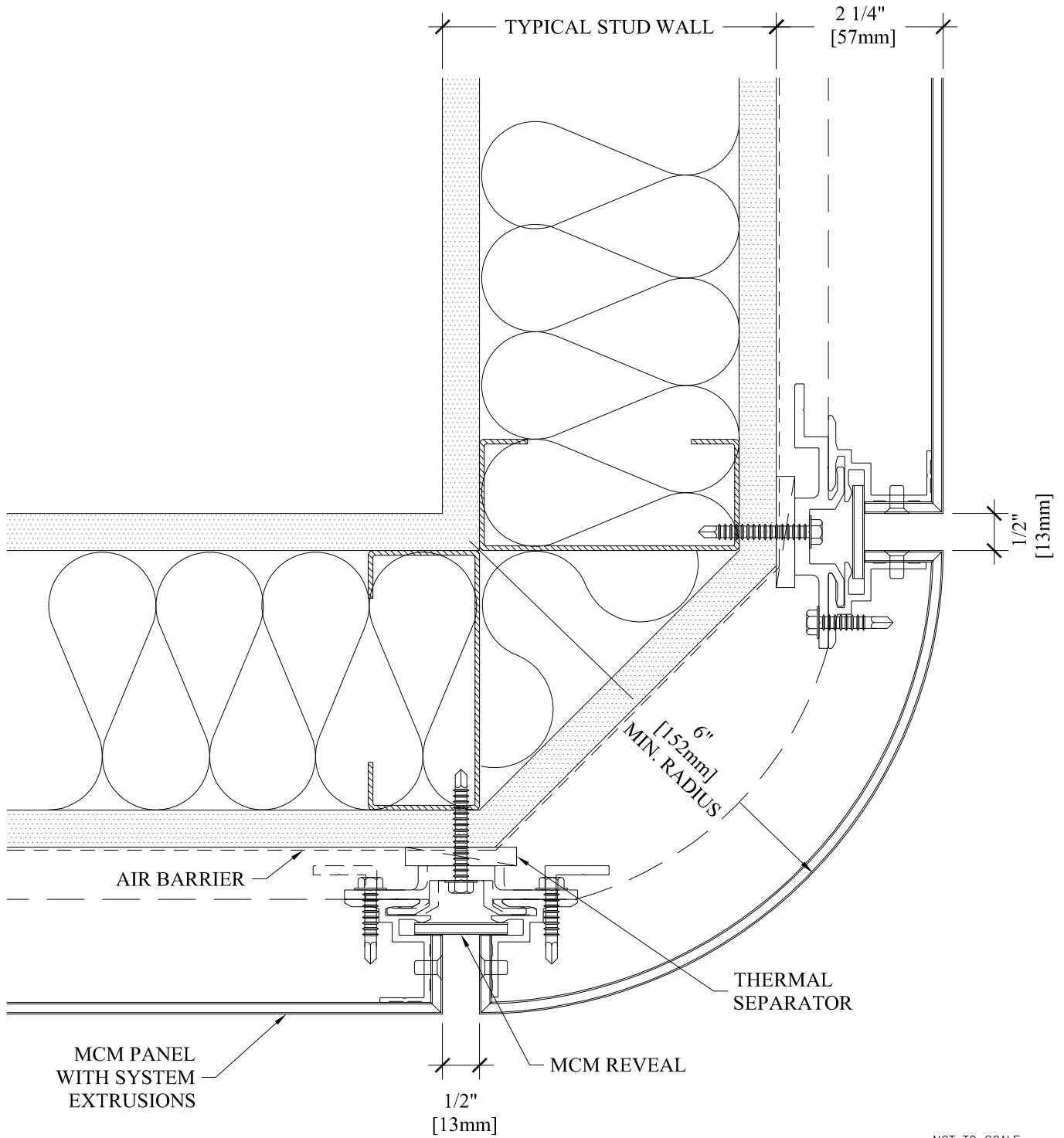


ADDING STRUCTURE TO VISION

WWW.SOBOTEC.COM PH: 905-578-1278

HAMILTON,  
ONTARIO

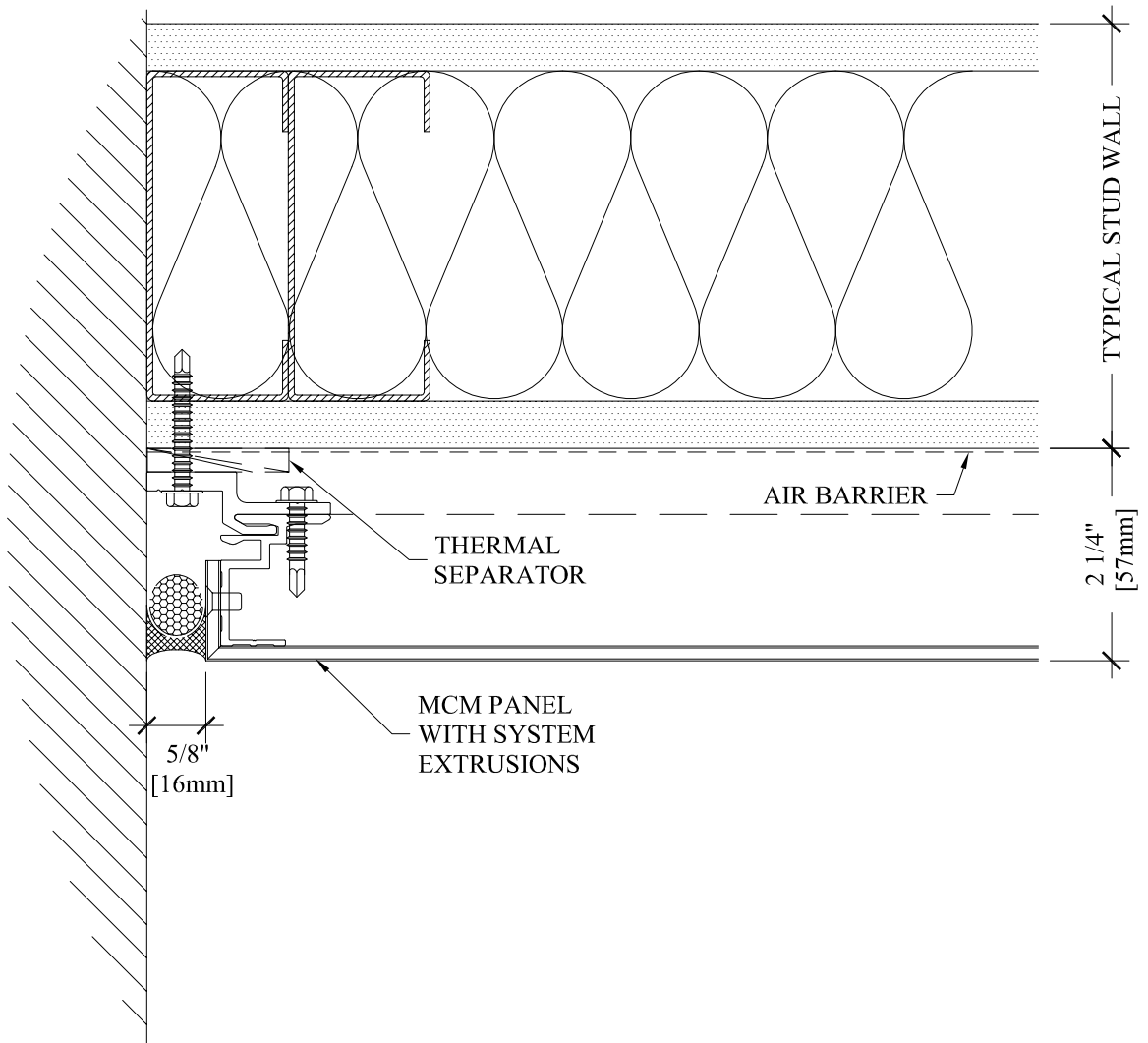




12 SL-2000 ROUND OUTSIDE CORNER



HAMILTON,  
ONTARIO

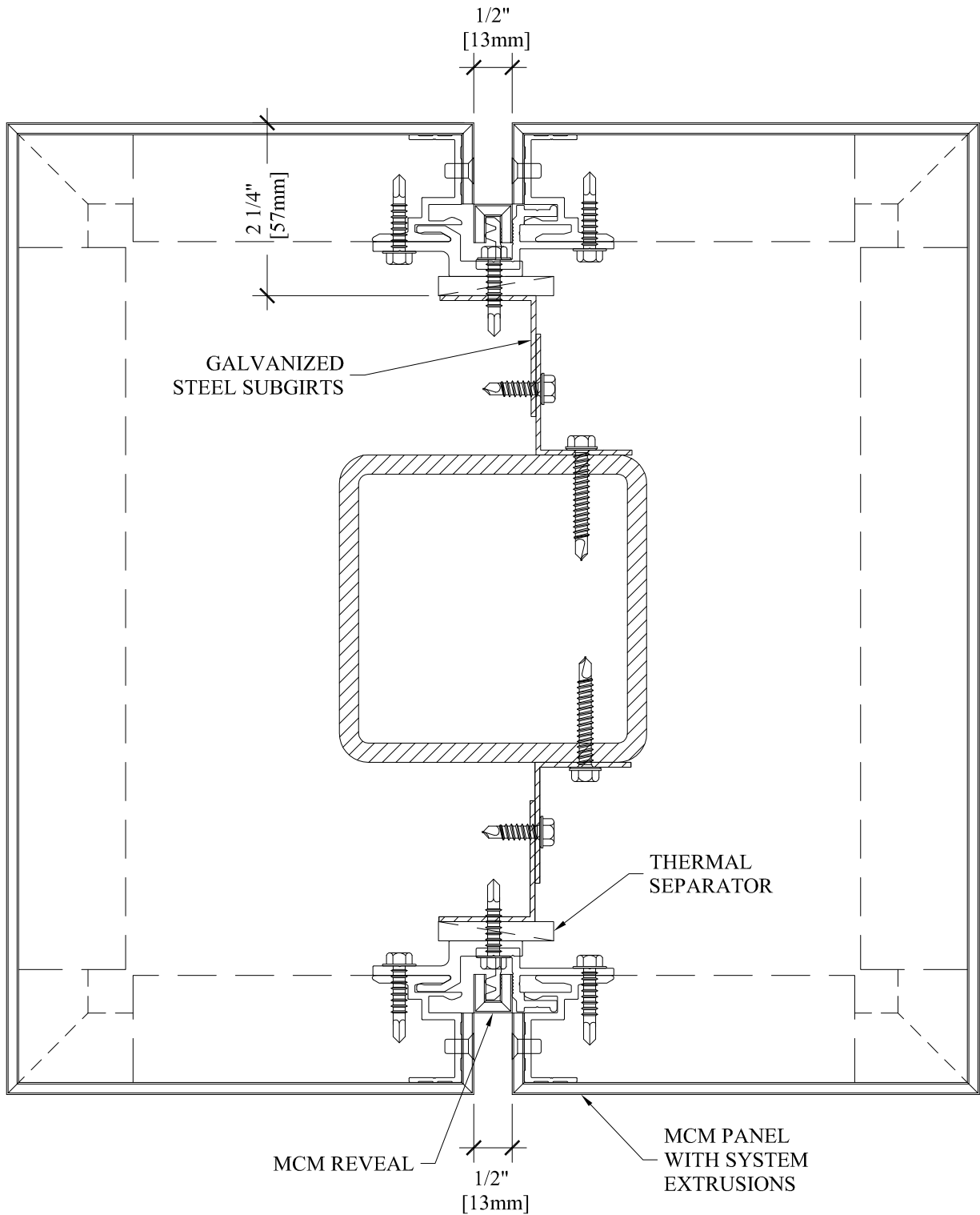


NOT TO SCALE

13 SL-2000 ABUTMENT DETAIL



HAMILTON,  
ONTARIO



NOT TO SCALE

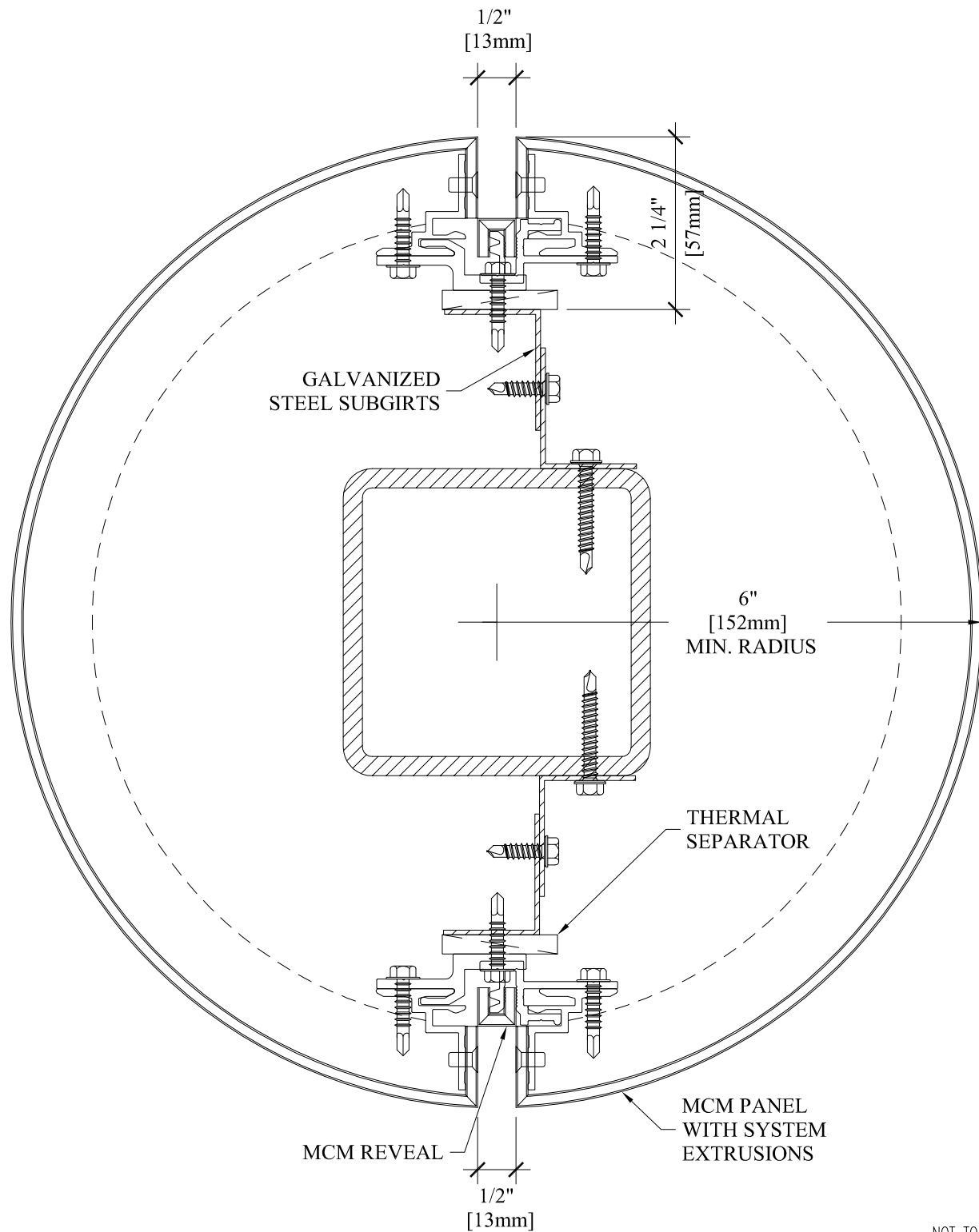
14 SL-2000 SQUARE COLUMN



ADDING STRUCTURE TO VISION

WWW.SOBOTEC.COM PH: 905-578-1278

HAMILTON,  
ONTARIO



15 SL-2000 CIRCULAR COLUMN

**SOBOTEC**  
 ADDING STRUCTURE TO VISION  
 WWW.SOBOTEC.COM PH: 905-578-1278

HAMILTON,  
 ONTARIO